

# H305

## Low Profile Bench Scale



## DESCRIPTION

A free standing, self-contained, low profile bench scale. This range can be used with any Avery Weigh-Tronix indicator system.

The bench scale utilises a single centre point load cell and as such contains no moving parts or levers. The load cell is protected by a centre overload stop and one at each corner of the bench scale.

The H305 is approved to 3000 divisions (OIML) and uses the Avery Weigh-Tronix T110 load cell. Level adjustment is made via four adjustable, non-scratching, levelling feet and a self-contained spirit level.

The H305 is made from a food grade stainless steel (grade 304) frame with top plate.

## SPECIFICATION

### GENERAL

<b>Sizes &amp; Capacities</b>	Platform Size 400 mm x 600 mm 600 mm x 700 mm	Capacity 60 kg or 150 kg 150 kg or 300 kg
<b>Indicators</b>	The H305 is able to interface to all Avery Weigh-Tronix indicator systems. The H305 may be mounted remotely from the indicator via a 3 m connection loom. As an alternative certain indicators may be mounted as an integral part of the platform.	
<b>Environment</b>	Operating Temperature -10 °C to 40 °C. Storage Temperature -20 °C to 60 °C. Resistance to dirt and moisture, stainless steel IP67	
<b>Material</b>	Pickled and electropolished food grade 304 Stainless steel top plate, base plates and internal support components and fitted with an IP67 aluminum anodized loadcell.	
<b>Loadcell</b>	H305 Bench scales are fitted with the Avery Weigh-Tronix model T110 anodized aluminium IP67 load cell. Sealed & protected with a neoprene encapsulation offering protection against weather/ ageing and is resistant to oils, refrigerants and mild acids. ATEX and OIML R60 3000d approved loadcell.	
<b>Approvals</b>	3000d OIML approved platform with optional Automatic Variable Resolution (AVR) option.	
<b>Overload Protection</b>	The platform is protected in that four bump stops (one under each corner of the platform), are set to engage when in excess of 110% of the total weight is placed on the platform. In addition to this, the load cell will withstand a load placed on the platform which is up to 150% of the capacity of the scale.	
<b>ATEX</b>	ATEX approved for use in hazardous areas to CENELEC standards (not suitable for ATEX hazardous dust applications) DEMKO Certificate: DEMKO 10 ATEX 149763X Ⓔ II 1G Ex ia IIC T6	

## BACK BALANCE

The following total weight can be attached to the platform without loss of capacity.

Platform Size	Capacity	Back Balance
400 mm x 600mm	60 kg	none
400 mm x 600 mm	150 kg	8 kg
600mm x 700mm	150 kg	5 kg
600mm x 700mm	300 kg	30 kg

## AUTOMATIC VARIABLE RESOLUTION (AVR)

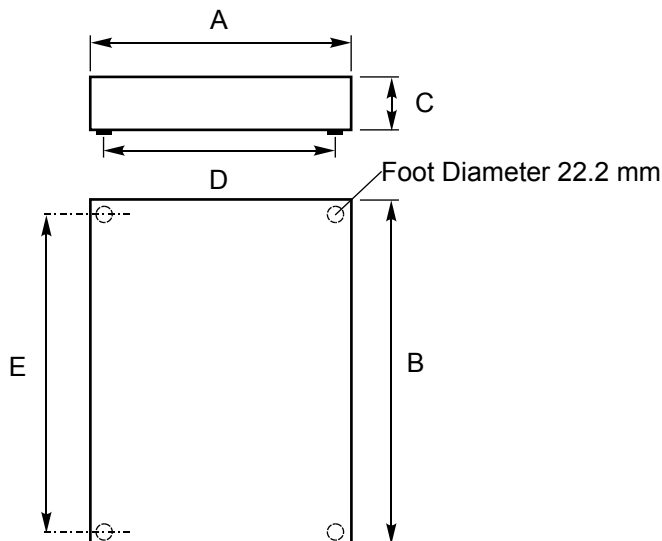
Capacity	Range
60kg	0 - 30kg x 0.01kg 30kg - 60kg x 0.02 kg
150 kg	0 - 60kg x 0.02kg 60kg - 150kg x 0.05 kg
300kg	0 - 150kg x 0.05kg 150kg - 300kg x 0.1kg

## SHIPPING

Platform Size	Packing Size	Gross Weight
600 mm	550 mm x 740 mm x 260 mm	34 kg
300 mm x 400 mm	740 mm x 860 mm x 294 mm	52 kg

## DIMENSIONS

A	B	C	D	E	NetWeight
400 mm	600mm	140mm	352mm	542mm	27kg
600 mm	700mm	150mm	518mm	642mm	45kg



**Avery Weigh-Tronix - UK**  
 Foundry Lane, Smethwick,  
 West Midlands B66 2LP UK  
 info@awtxglobal.com  
 Phone: +44 (0) 8453 66 77 88  
 Fax: +44 (0) 121 224 8183

**Avery Weigh-Tronix - USA**  
 1000 Armstrong Drive,  
 Fairmont, MN 56031-1439 USA  
 usinfo@awtxglobal.com  
 Toll-Free: (800) 533-0456  
 Phone: (507) 238-4461

# Avery Weigh-Tronix

Please call us or visit [www.averyweigh-tronix.com](http://www.averyweigh-tronix.com)

