



BridgeMont

BMS Steel Deck Weighbridge

Technical Specification

DESCRIPTION

General

High quality, high strength, flat-top steel road weighbridge design for either pit or surface mounting.

Platform Structure

Modular construction in two widths of 3m and 3.35m, normally comprising one, two, or three modules. (Up to 24 m, 100 tonne capacity).

Mild steel sandwich design consisting of top steel plate, 11 main longitudinal beams, and lower longitudinal strips positioned between end boxes containing the Weigh Bar weigh sensors.

Platform plates have a skid resistant surface.

The first (base) module has four Weigh Bars supporting it. Subsequent add-on modules have two Weigh Bars.

Cables are routed through conduit secured to the weighbridge structure.

Weighbridge Restraint

The design utilises our unique Easi-Post suspension system. No adjustments are required.

Weigh Bars

Avery Weigh-Tronix 34 tonne Weigh Bars are fitted to this range of weighbridges. Cables are run to a local junction box in the weigh hut or module. These are then interconnected and a cable is run to the indicator. Surge arrestors are provided in the junction box.

Free Motion

The Weigh Bars are joined to the foundation plates and Easi-Post suspension system, which provide a free motion characteristic to the design. This feature offers considerably less noise than traditional bump stop designs.

Indicator Systems

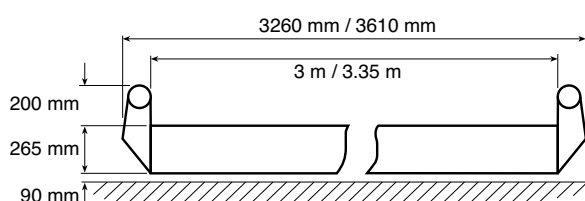
All Avery Weigh-Tronix standard indicators designed for weighbridge applications are suitable to use with this range of weighbridges.

Software

Avery Weigh-Tronix have a number of suitable software packages to suit all applications.

SPECIFICATION

Platform Dimensions



Strength

All sizes are designed to carry any vehicle covered by the Motor Vehicles (Construction and Use) Regulations.

Although many vehicles not covered by regulations with regard to axle loading and spacing may be carried by the weighbridge up to a maximum of 30t DTA, it is important that confirmation be obtained.



BridgeMont BMS Steel Deck Road Weighbridge

Finish

A high performance paint finish provides excellent levels of adhesion and corrosion protection.

Guide Rails

For surface applications, Avery Weigh-Tronix offer heavy duty bolt on guide rails for easy replacement if damaged.

Approvals

The basic construction, Weigh Bars and free-motion mounting, etc., are in accordance with the requirements of OIML and EU regulations.

Environment

Resistance to Dirt and Moisture – Consistent with conditions pertaining to well drained outdoor installation.

Resistance to Electrical Disturbances – Complies with the requirements of EN 45501.

Operating Temperature Range – -20° C to + 50° C depending on applicable Weights and Measures Regulations.

Installation & Access

Either surface or pit mounted foundations can be supplied for these weighbridges.

Service access for Weigh Bar and mounting maintenance is via access covers through the top of the weighbridge.

Options

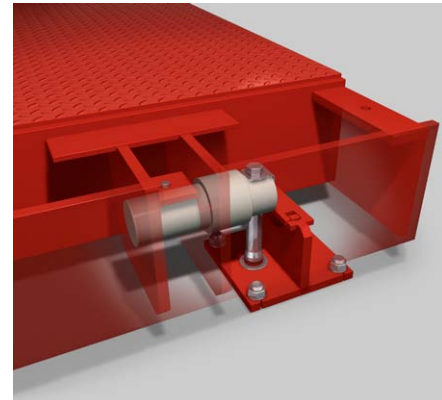
- XT heavy duty version for 36000 kg dual tandem axles.
- Suitable steel ramps.
- Manhole frame and cover for pit mounted installations.
- Stainless steel sheath cable.

Foundation Drawings

| Description | Width | Drawing Number |
|----------------------------|--------|----------------|
| Surface Mount One Module | 3.00 m | 83211 – 251 |
| | 3.35 m | 83211 – 252 |
| | 3.65 m | 83211 – 253 |
| Surface Mount Two Module | 3.00 m | 83211 – 254 |
| | 3.35 m | 83211 – 255 |
| | 3.65 m | 83211 – 256 |
| Surface Mount Three Module | 3.00 m | 83211 – 257 |
| | 3.35 m | 83211 – 258 |
| | 3.65 m | 83211 – 259 |
| Pit Mount One Module | 3.00 m | 83211 – 260 |
| | 3.35 m | 83211 – 261 |
| | 3.65 m | 83211 – 262 |
| Pit Mount Two Module | 3.00 m | 83211 – 263 |
| | 3.35 m | 83211 – 264 |
| | 3.65 m | 83211 – 265 |
| Pit Mount Three Module | 3.00 m | 83211 – 266 |
| | 3.35 m | 83211 – 267 |
| | 3.65 m | 83211 – 268 |

Shipping Weight *(approximate weight of standard modules with guide rails)*

| Platform Size | Base (Length) | Add-on 1 (Length) | Add-on 2 (Length) |
|---------------|-----------------|-------------------|-------------------|
| 6 m x 3 m | 3230 kg | | |
| 9 m x 3 m | 5050 kg | | |
| 12 m x 3 m | 3230 kg (6 m) | 3030 kg (6 m) | |
| 15 m x 3 m | 3940 kg (7.5 m) | 3735 kg (7.5 m) | |
| 18 m x 3 m | 5050 kg (9 m) | 4850 kg (9 m) | |
| 20 m x 3 m | 3230 kg (6 m) | 3505 kg (7 m) | 3505 kg (7 m) |
| 22 m x 3 m | 4180 kg (8 m) | 3505 kg (7 m) | 3505 kg (7 m) |
| 24 m x 3 m | 4180 kg (8 m) | 3970 kg (8 m) | 3970 kg (8 m) |
| 6 m x 3.35 m | 3660 kg | | |
| 9 m x 3.35 m | 5730 kg | | |
| 12 m x 3.35 m | 3660 kg (6 m) | 3435 kg (6 m) | |
| 15 m x 3.35 m | 4465 kg (7.5 m) | 4240 kg (7.5 m) | |
| 18 m x 3.35 m | 5730 kg (9 m) | 5510 kg (9 m) | |
| 20 m x 3.35 m | 3660 kg (6 m) | 3980 kg (7 m) | 3980 kg (7 m) |
| 22 m x 3.35 m | 4735 kg (8 m) | 3980 kg (7 m) | 3980 kg (7 m) |
| 24 m x 3.35 m | 4735 kg (8 m) | 4515 kg (8 m) | 4516 kg (8 m) |



Easi-Post suspension

Avery Weigh-Tronix - UK

Foundry Lane, Smethwick,
West Midlands B66 2LP UK
info@awtxglobal.com
Phone: +44 (0) 845 3 66 77 88
Fax: +44 (0) 121 697 5660

Avery Weigh-Tronix - USA

1000 Armstrong Drive,
Fairmont, MN 56031-1439 USA
usinfo@awtxglobal.com
Toll-Free: (800) 533-0456
Phone: (507) 238-4461

Please call us or visit www.averyweigh-tronix.com for your nearest Avery Weigh-Tronix distributor

Avery Weigh-Tronix

