



AWB 120

Bench Scale

DESCRIPTION

General

The AWB 120 is a robust, general purpose medium to light industrial electronic bench scale. It can be used in a wide variety of applications including shipping and despatch, dry food applications, as well as basic checkweighing and totalising. The large easy to read pole-mounted digital display comes as standard.

Features and Benefits

Backlit Display – Supplied with a large, six-digit, 52 mm high, seven segment display with configurable backlight (on, off or on only when weighing). The display is mounted to a stainless steel pole and can be tilted throughout approximately 150° range for easy visibility.

Dual Power – Powered by either the internal rechargeable battery or via the external power adapter. It is equipped with power saving options such as auto power-off and switching backlight off at zero.

Keyboard – Seven simple to use, large tactile keys with multifunctional use.

Low Battery Warning – LED annunciator next to display warns of low battery condition.

Robust Base – 520 mm x 420 mm die cast aluminium base with hard wearing stainless steel shroud.

Checkweighing Mode – Allows a low and high limit to be set. Configurable audible and visual annunciators (three LEDs next to display) show when weight is under, over, or at target weight.

Totalising Functionality – Allows the number of weighings and the total amount of weight to be stored and recalled.

OIML approved – 3000 division approved;
6000 divisions unapproved.

Technical Specification





SPECIFICATIONS

Approved Capacities

60 kg x 0.02 kg
150 kg x 0.05 kg
300 kg x 0.1 kg

Non-Approved Capacities

30 kg x 0.005 kg
60 kg x 0.01 kg
150 kg x 0.02 kg
300 kg x 0.05 kg

Tares

Semi-automatic subtractive tare.
100% subtractive.

Displays

The display shows six seven-segment digits.

The pole mounted LCD display carries icons for gross, net, tare, zero, kg.

LCD annunciators are available for Stable; Zero; Gross; Net; Tare; Hold; Low Battery.

LED annunciators are available for Over; Under; Accept on Check Weighing and Low Battery.

Controls

Keyboard controls are located on the display housing. Auto power-off function to help prolong battery life.

Main Control Functions –

Gross/Net; Print; Memory Recall. Accumulate; Tare; Zero; Power On/Off.

Additional Control Functionality –
Check Weighing; Memory Clear.

Fittings

Stainless steel plate –

520 mm x 420 mm.

Stainless Steel Pole – 660 mm

Four adjustable feet and level indicator at base of pole to ensure maximum stability.

Electrical Supply

Mains Adaptor – AC plug top mains adaptor with 1.8m cable.
230 V at 50 Hz via external 9 V DC 800 mA adaptor.

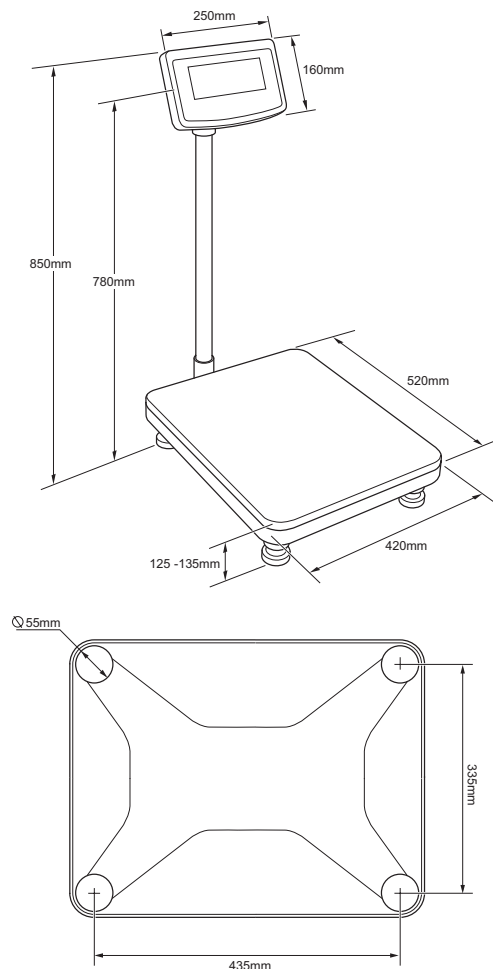
Internal Rechargeable Battery –

6 V DC rechargeable battery.
12 hours to fully charge the scale.
Approximately 20 hours of continuous battery life.

Environment

Operating Temperature Range –
-10° C to +40° C

Operating Humidity –
0 to 85% RH (non-condensing)



Approvals

EC type approval certificate number – UK2863

OIML Certificate number – R76/1992-GB1-09.08

Finish

Indicator Housing – Grey ABS

Column – Stainless Steel

Top Plate – Brushed Stainless Steel

Base – Blue die cast aluminium

Shipping Specifications

Net – 13.5 kg

Gross – 16.4 kg

Number of Packages – 1

Package Dimensions –
820 mm x 590 mm x 250 mm



Avery Weigh-Tronix - UK

Foundry Lane, Smethwick,
West Midlands B66 2LP UK
info@awtxglobal.com
Phone: +44 (0) 8453 66 77 88
Fax: +44 (0) 121 224 8183

Avery Weigh-Tronix - USA

1000 Armstrong Drive,
Fairmont, MN 56031-1439 USA
usinfo@awtxglobal.com
Toll-Free: (800) 533-0456
Phone: (507) 238-4461

Please call us or visit www.averyweigh-tronix.com
for your nearest Avery Weigh-Tronix distributor

Avery Weigh-Tronix

