

HL122

light industrial scale

- ◆ Low cost, high performance
- ◆ For weighing, counting or checkweighing
- ◆ Large, easy to read display
- ◆ Battery or mains operation
- ◆ Backed by a nationwide service network



The HL122 light industrial scale offers three-in-one flexibility. Weighing, counting or checkweighing, this low cost, high performance machine is the ideal choice for a wide range of weighing applications.

- ◆ **As easy as 1,2,3**
Piece weights are easily selected and count quantities clearly displayed. Optional transmission of totals to a PC or a 24-character tally roll printer is available.
- ◆ **Check it out!**
A variety of features is available to assist with checkweighing routines including selectable targets by weight or by the number of pieces and programmable under and overweight tolerances. The display instantly confirms 'under', 'accept' and 'over' weights and a

programmable, audible alarm warns the operator of any potential problems. An optional relay output is available for monitoring weight tolerances.

- ◆ **It all adds up**
An addition function is available to store the number of weighings or pieces and their accumulated total. This information can be optionally relayed to a PC or printer.

Avery Berkel

Low on cost, high on performance

Additional Features:

- ◆ **Large display**
The digital display can be column or desk mounted and is easy to read from any angle and at a distance.
- ◆ **Stylish design**
Robust and easy to clean, featuring a stainless steel platform and disposable plastic drip cover.
- ◆ **Very simple to use**
The tactile keyboard features large keys with the essential functions highlighted in red.
- ◆ **Power flexibility**
The scale can be powered by dry cell batteries, via an internal rechargeable battery or from the mains.
- ◆ **Options**
RS232 output providing continuous serial output or, automatic transmission when stable or, further transmission on request. Relay output board providing under, over and on-target signals.

Approved Capacities

Capacity	Division	Platform Size
30 kg	0.01 kg	370 mm x 520 mm
60 kg	0.02 kg	370 mm x 520 mm
150 kg	0.05 kg	370 mm x 520 mm
60 kg	0.02 kg	460 mm x 600 mm
150 kg	0.05 kg	460 mm x 600 mm
300 kg	0.1 kg	460 mm x 600 mm

Non-Approved Capacities

Capacity	Division	Platform Size
30 kg	0.005 kg	370 mm x 520 mm
60 kg	0.01 kg	370 mm x 520 mm
120 kg	0.02 kg	370 mm x 520 mm
150 kg	0.02 kg	370 mm x 520 mm
150 kg	0.02 kg	460 mm x 600 mm
300 kg	0.05 kg	460 mm x 600 mm

Dimensions

370 mm x 520 mm Platform

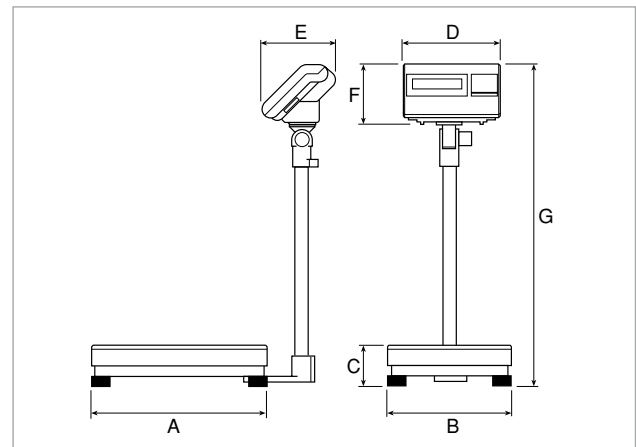
A = 520 mm
B = 370 mm
C = 127 mm

460 mm x 600 mm Platform

A = 600 mm
B = 460 mm
C = 160 mm

Indicator

D = 278 mm
E = 204 mm
F = 174 mm
G = 930 mm



© Avery Berkel Limited 2002. All rights reserved. This publication is issued to provide outline information only which, unless agreed by Avery Berkel Limited in writing, may not be regarded as a representation relating to the products or services concerned. Avery Berkel Limited reserves the right to alter without notice the specification, design, price or conditions of supply of any product or service.

Foundry Lane, Smethwick,
West Midlands, England B66 2LP.

Tel: +44 (0)870 90 34343

Fax: +44 (0)121-224 8183

E mail: info@averyberkel.com

Internet: <http://www.averyberkel.com>

Avery Berkel